

MODULATOR

TV

DIAGRAMS  
REV. 400.001

3-105  
C89

3-106  
C90

2N2369  
C5

4.4.3  
C

C75

D14

R49

C5

257

4116

4116

4116

4116

4116

4116

4116

4116

4116

4116

4116

4116

4116

4116

4116

4116

4116

4116

C86

C85

C84

C83

C82

C81

C80

C79

C78

C77

C76

C75

C74

C73

C72

C71

C70

C69

C68

C67

C66

C65

C64

C63

C62

C61

C60

C59

C58

C57

C56

C55

C54

C53

C52

C51

C50

C49

C48

C47

C46

C45

C44

C43

C42

C41

C40

C39

C38

C37

C36

C35

C34

C33

C32

C31

C30

C29

C28

C27

C26

C25

C24

C23

C22

C21

C20

C19

C18

C17

C16

C15

C14

C13

C12

C11

C10

C9

C8

C7

C6

C5

C4

C3

C2

C1

C0

C-1

C-2

C-3

C-4

C-5

C-6

C-7

C-8

C-9

C-10

C-11

C-12

C-13

C-14

C-15

C-16

C-17

C-18

C-19

C-20

C-21

C-22

C-23

C-24

C-25

C-26

C-27

C-28

C-29

C-30

C-31

C-32

C-33

C-34

C-35

C-36

C-37

C-38

C-39

C-40

C-41

C-42

C-43

C-44

C-45

C-46

C-47

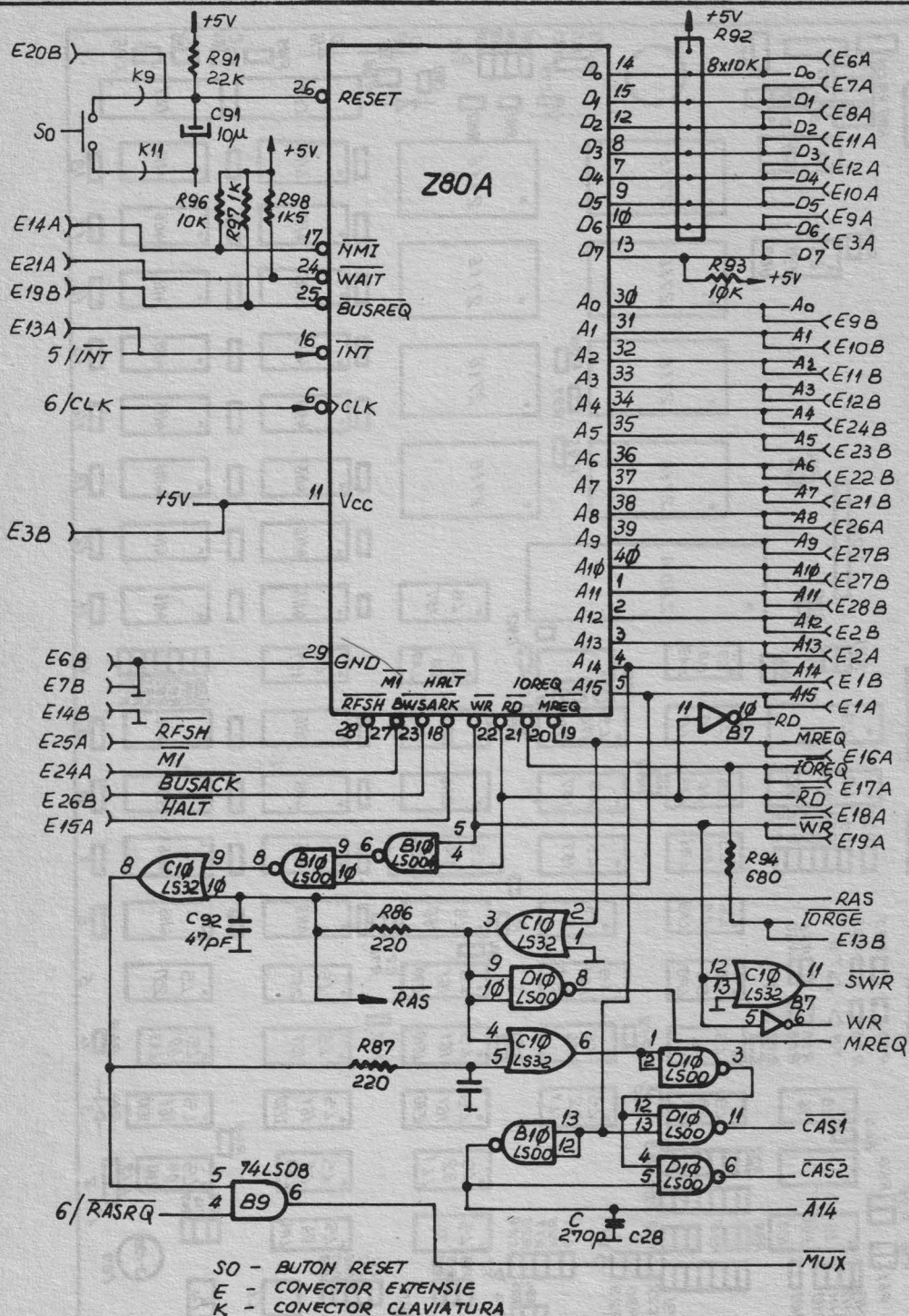
C-48

C-49

C-50

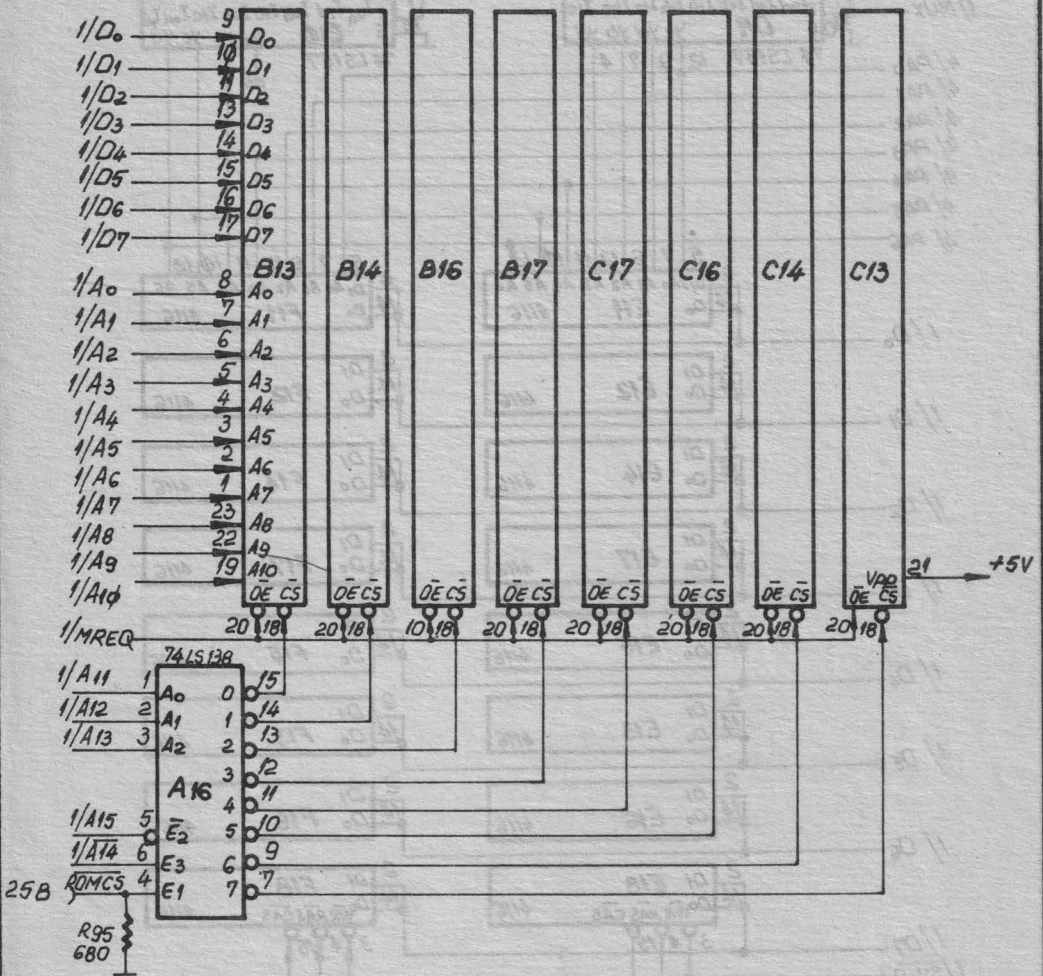
C-51

C-52



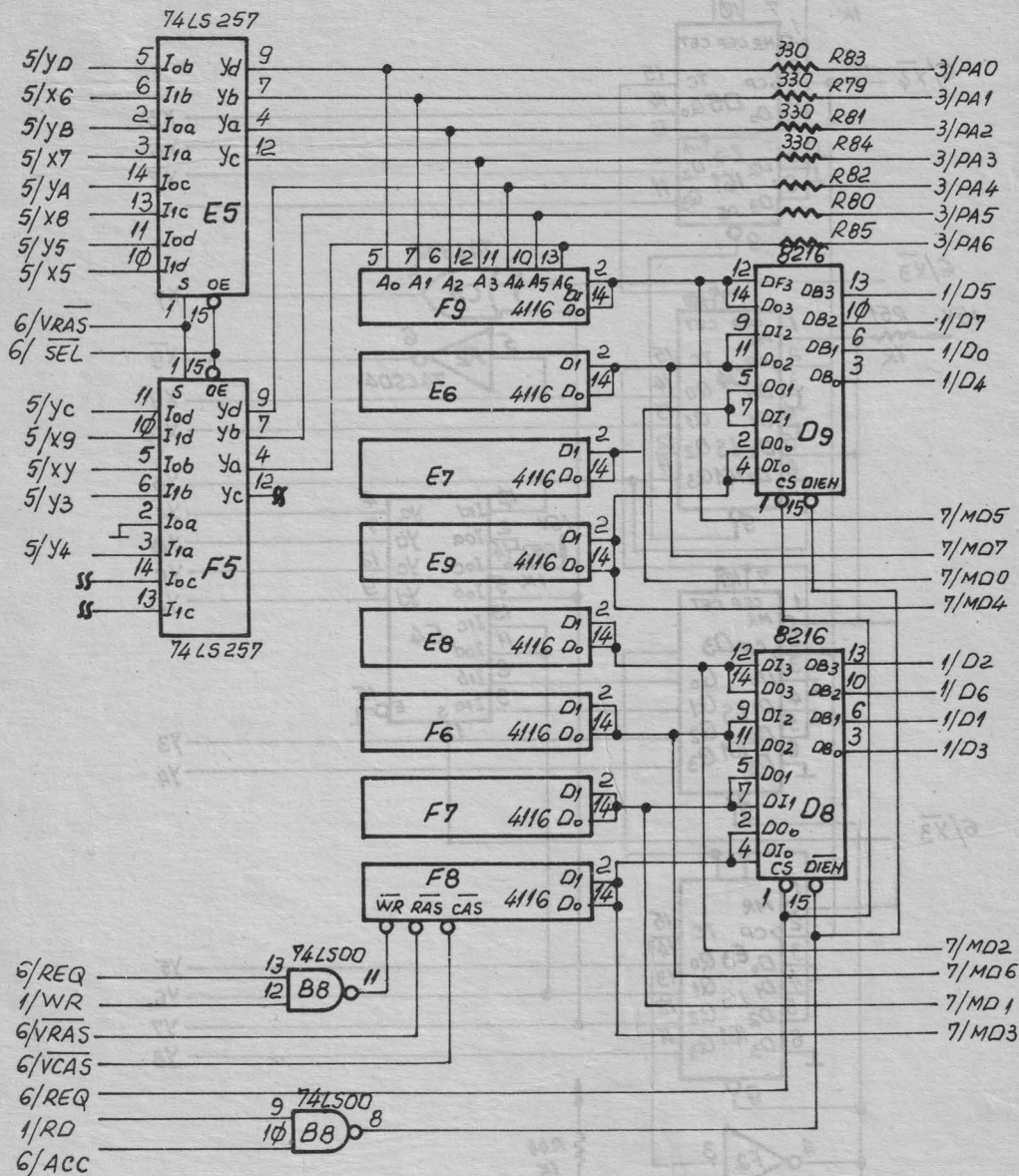
HC 85 LOGIC DIAGRAMS		URC
ICE.	Rev.	869.400.001
		CPU
		Fila 1 din 10.

8 x 2716

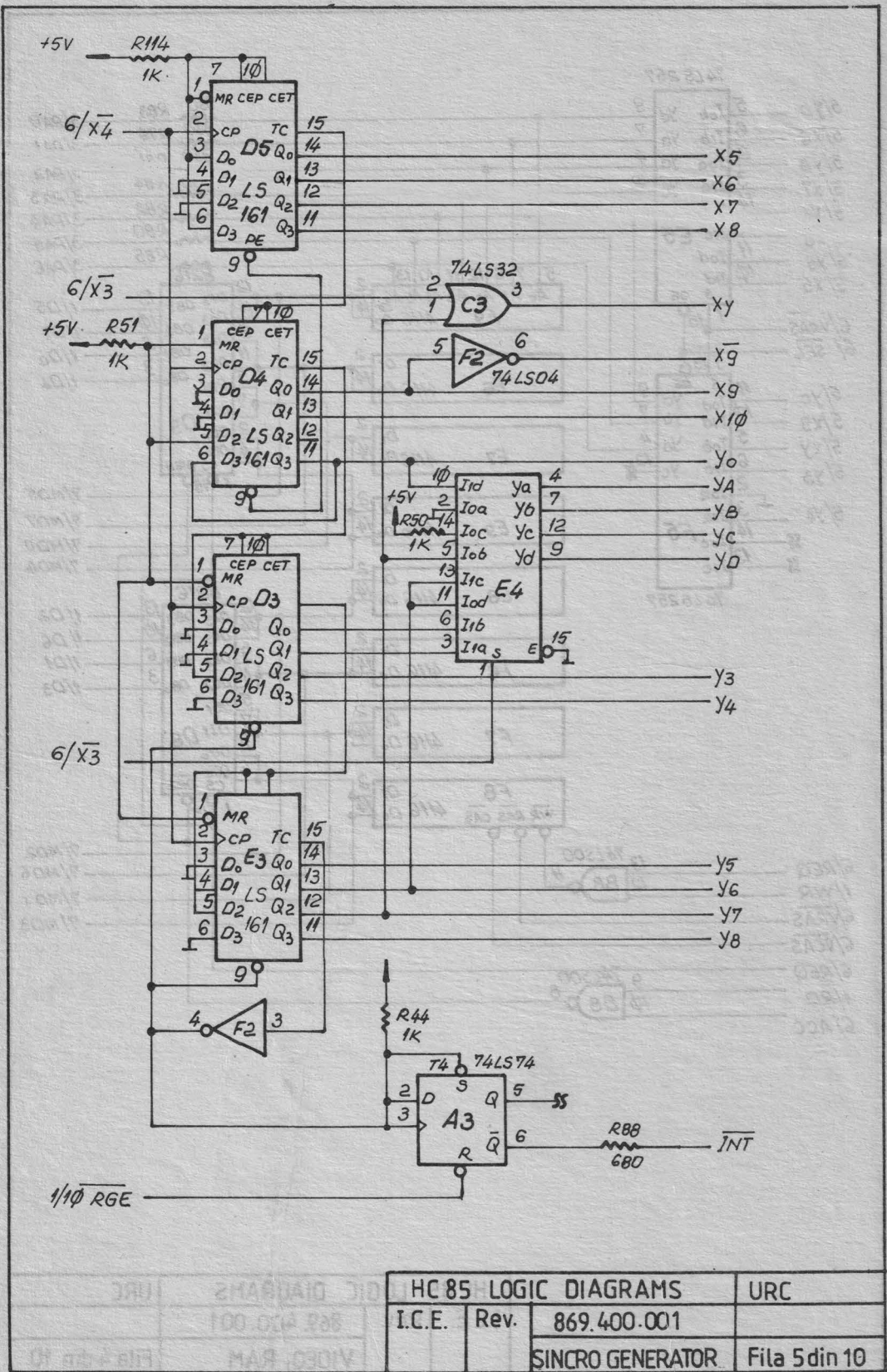


HC 85 LOGIC DIAGRAMS		URC
I.C.E.	Rev.	869. 400.001
ROM		Fila 2 din 10

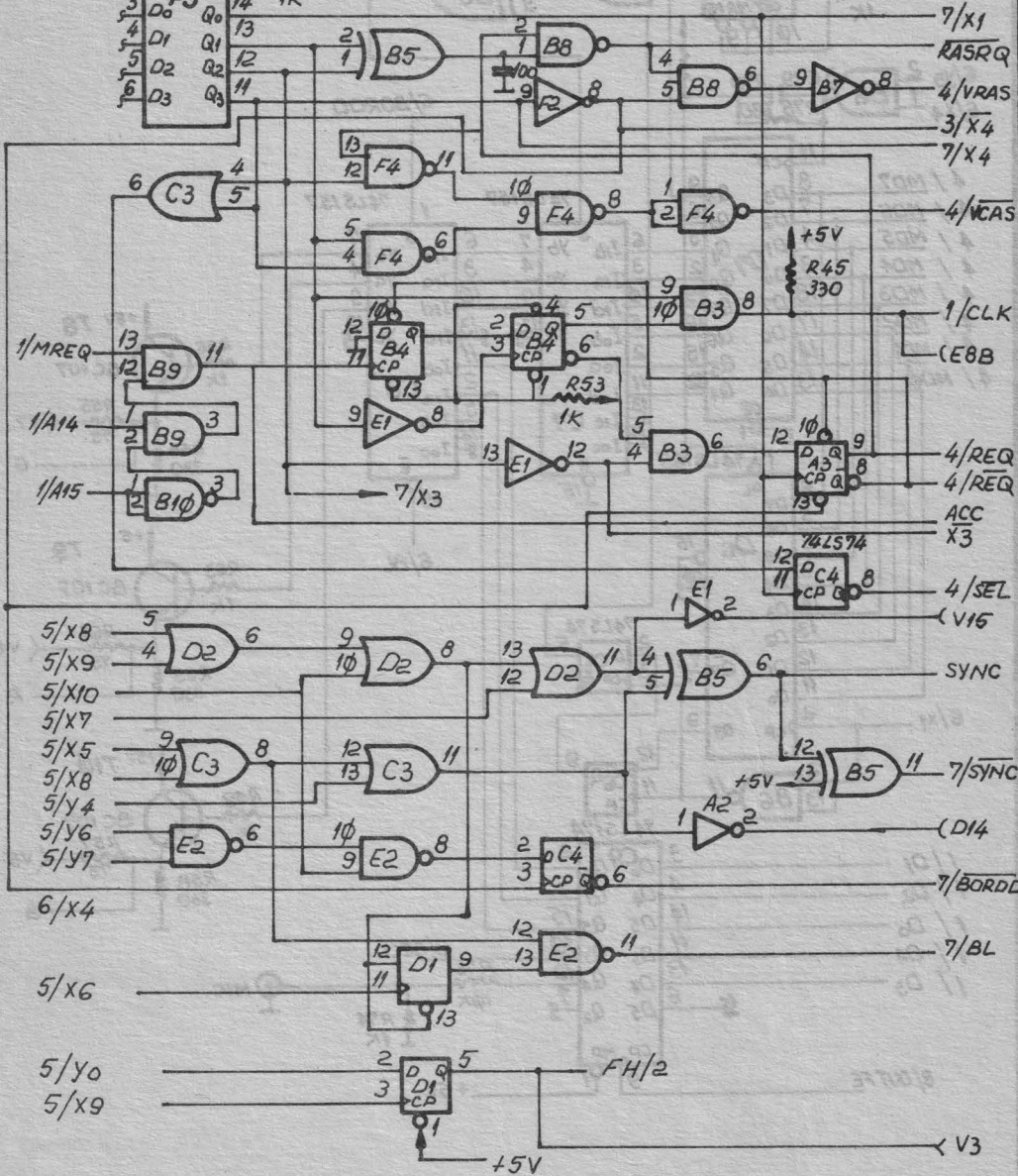
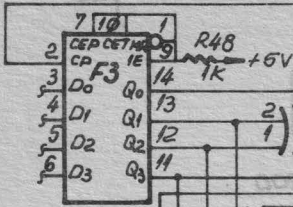
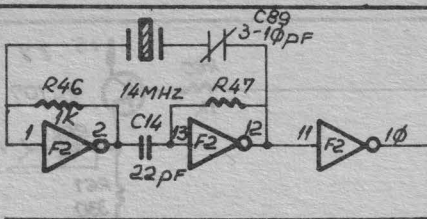




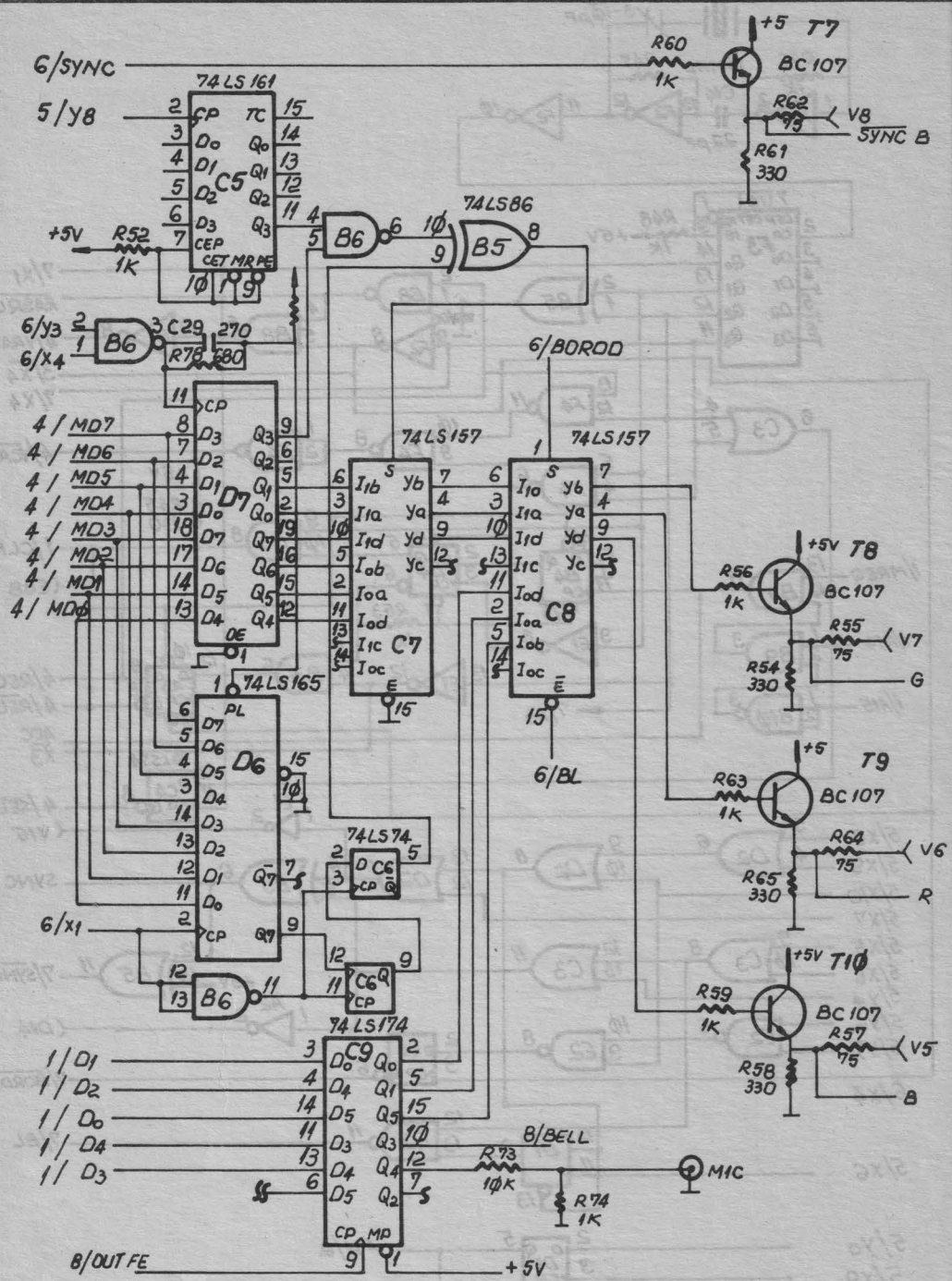
HC 85 LOGIC DIAGRAMS		URC
I.C.E.	Rev.	869.400.001
VIDEO RAM		Fila 4 din 10



HC 85 LOGIC DIAGRAMS		URC
I.C.E.	Rev.	869.400.001
SINCRO GENERATOR		Fila 5 din 10

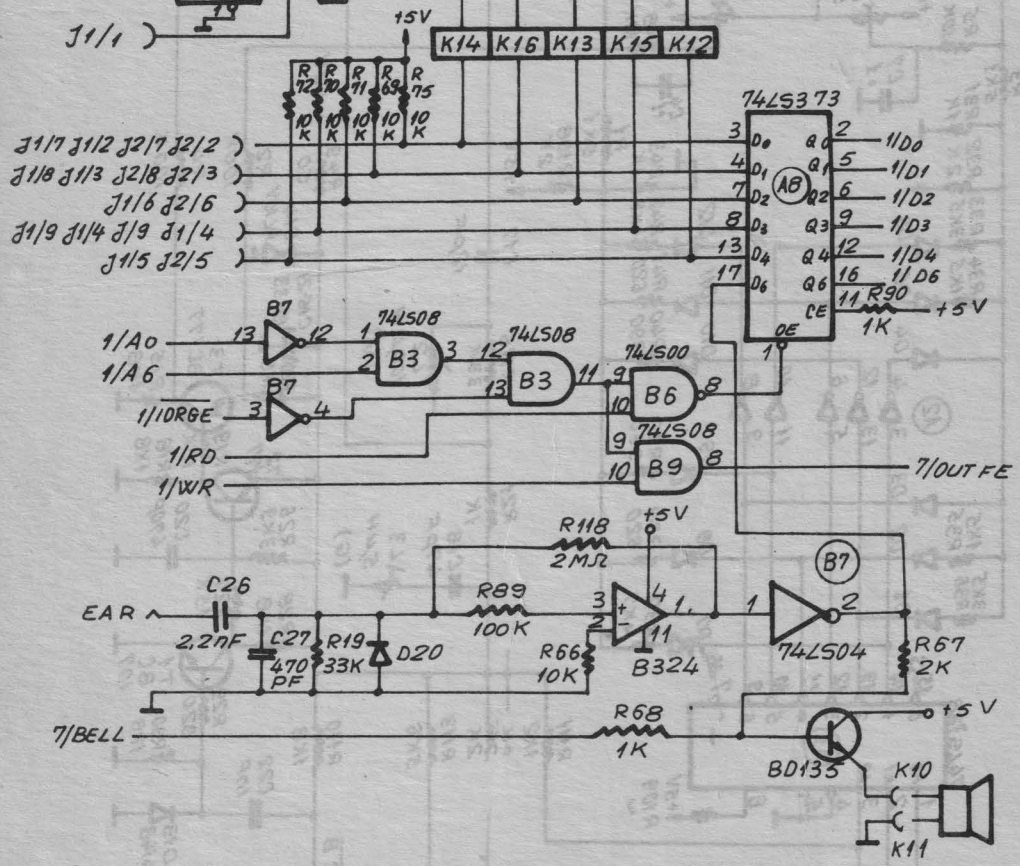
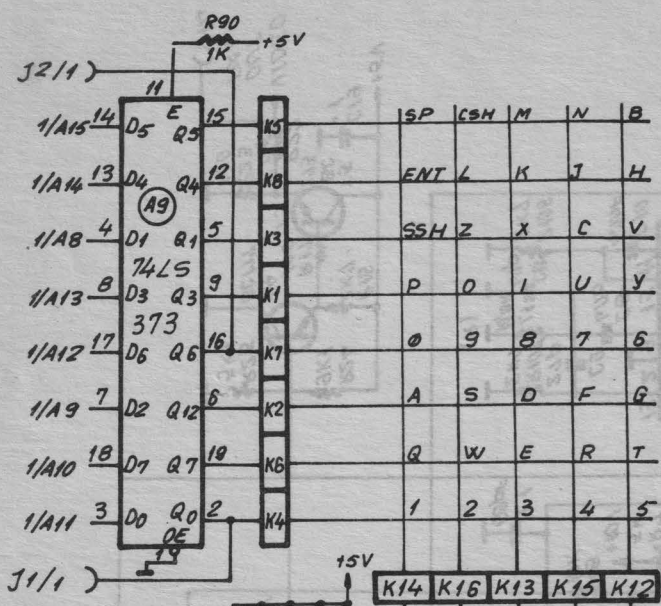


HC 85 LOGIC DIAGRAMS		URC
I.C.E.	Rev. 869.400.001	
	TIMING	Fila 6 din 10

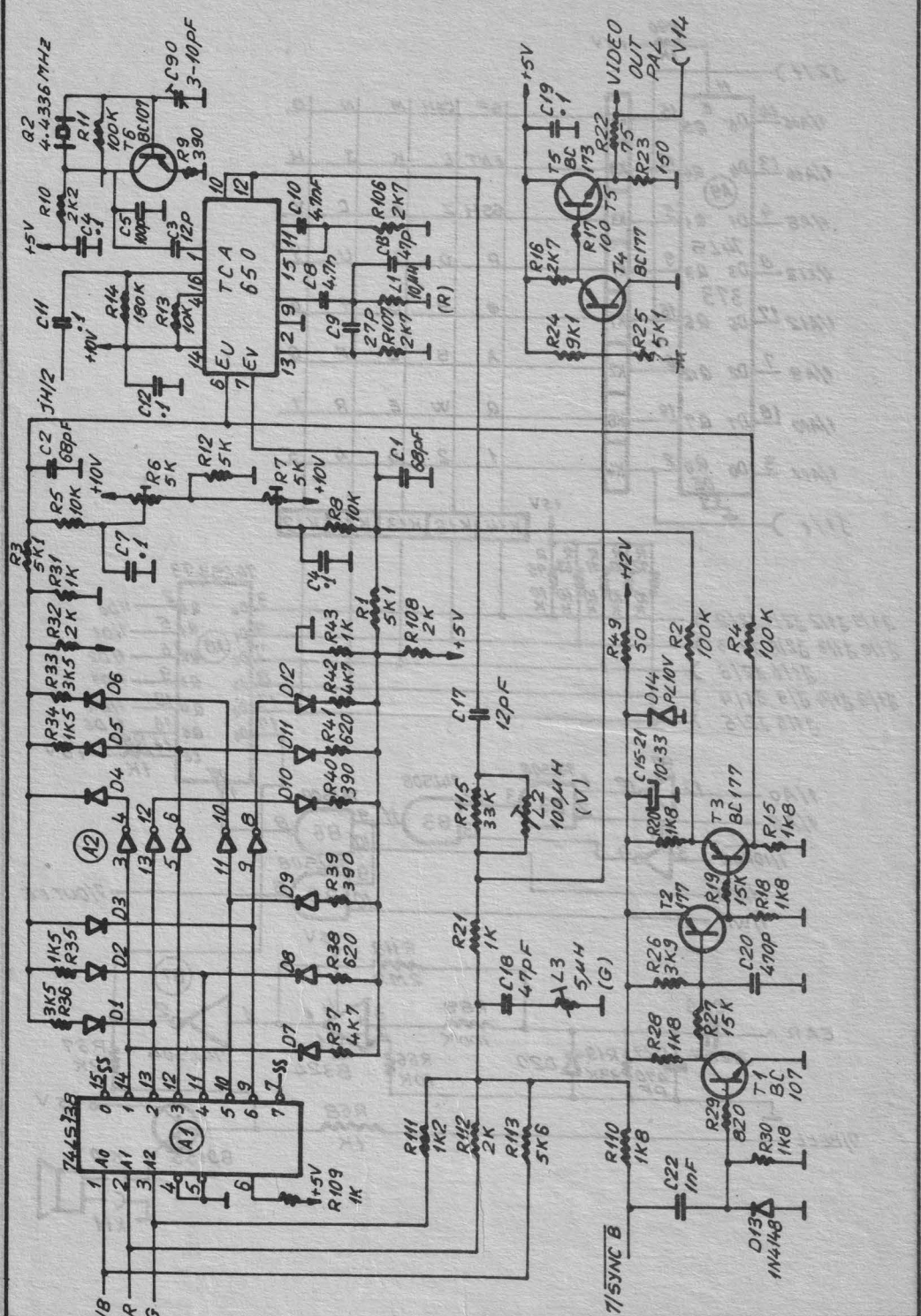


HC 85 LOGIC DIAGRAMS		URC
I.C.E.	Rev.	869 400 001
ATTRIBUTES		Fila 7 din 10

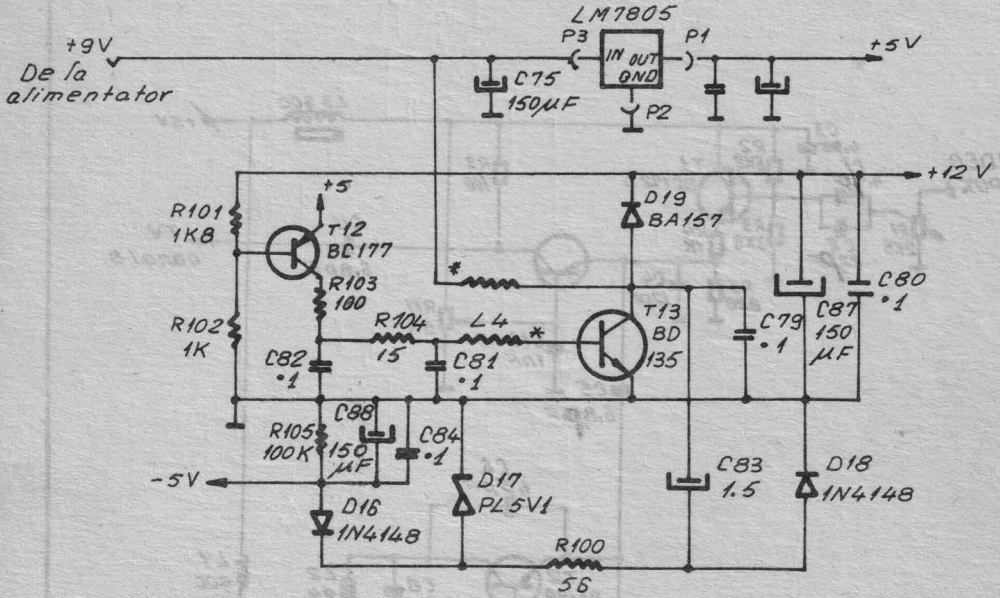




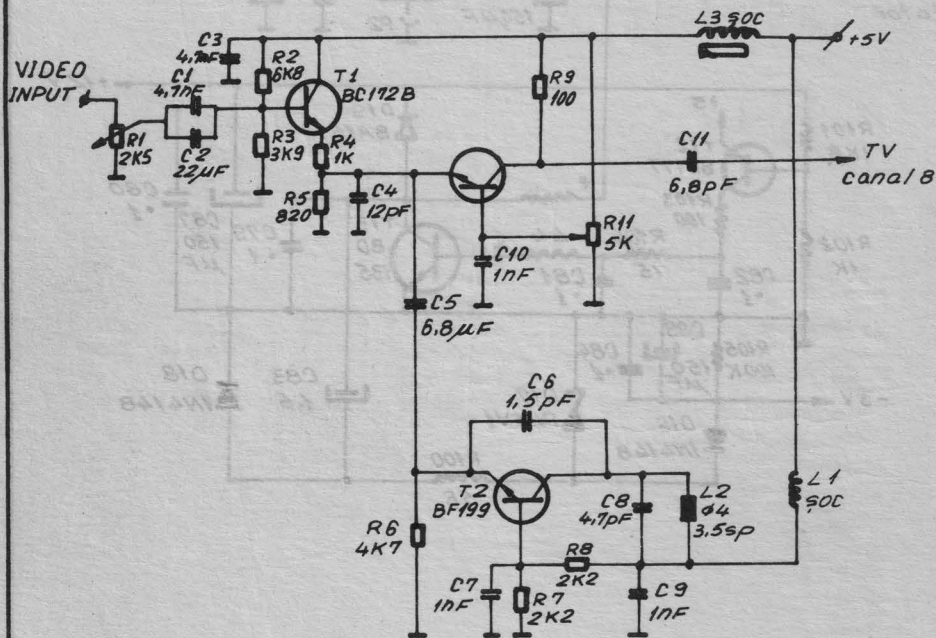
HC 85 LOGIC DIAGRAMS		URC
I.C.E.		KEY BOARD & CASS
869.400.001		Fila 8 din 10



HC 85 LOGIC DIAGRAMS		URC
I.C.E.	PAL CODER	
	869.400.001	
	Fila 9 din10	

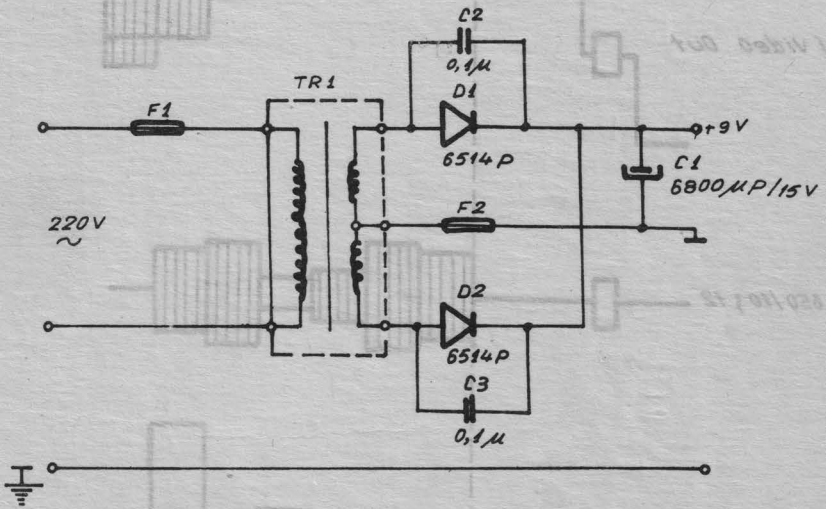


HC 85 LOGIC DIAGRAMS	URC
I.C.E.	SUPPLY
	869.40C.001
	Fi1a10 din 10

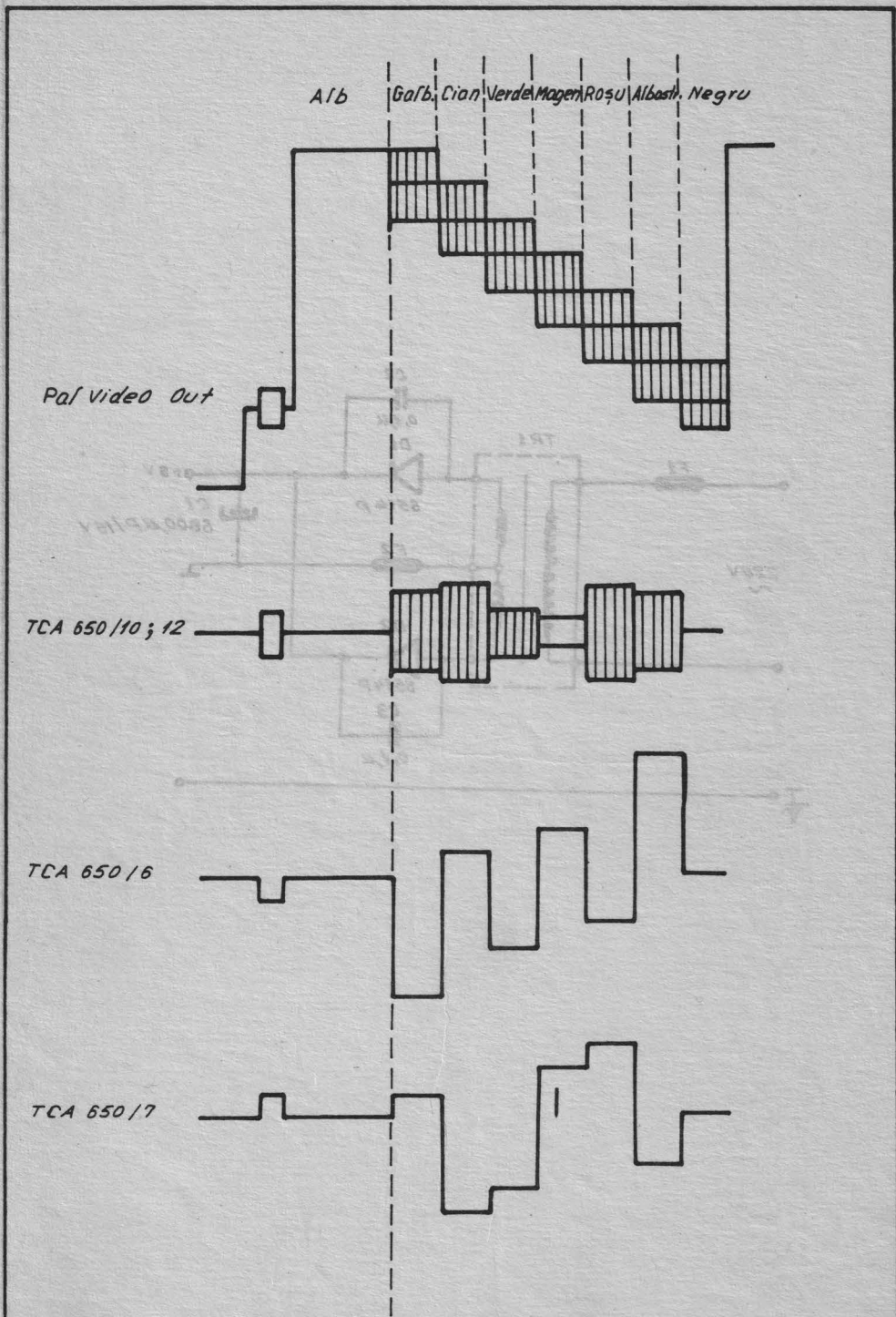


NOTA: Modulatorul se fabrică la Electronica.

HC 85 LOGIC DIAGRAMS URC	
I.C.E.	TV MODULATOR
	869.400.001
Fila 1 din 1	

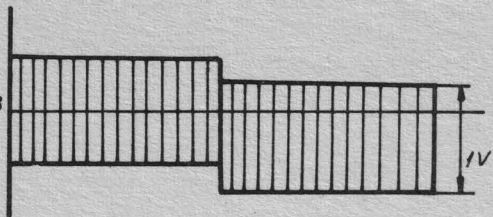


	2MAGGAG 9B88	HC 85 LOGIC DIAGRAMS	URC
589.400.001	100.000.858	I.C.E.	HC POWER SUPPLY
		869.400.001	Fila 1 din 1

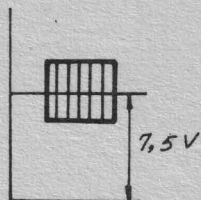


PAL CODER DIAGRAMS		
I.C.E.	869.400.001	Fila 1 din 2

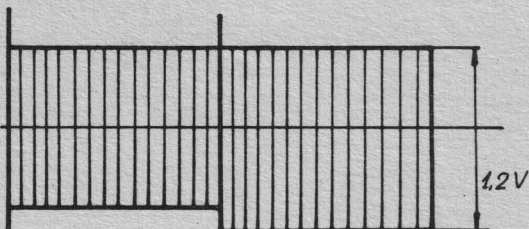
AC  
TCA 650/13



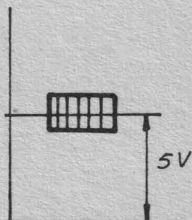
DC



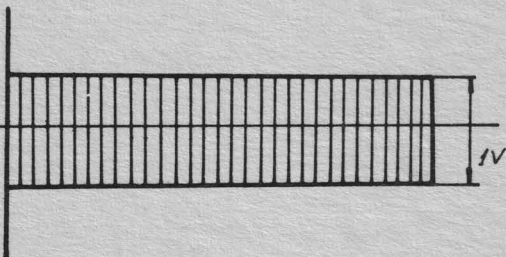
AC  
TCA 650/9



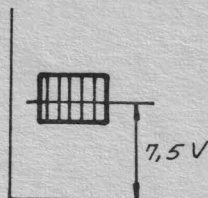
DC



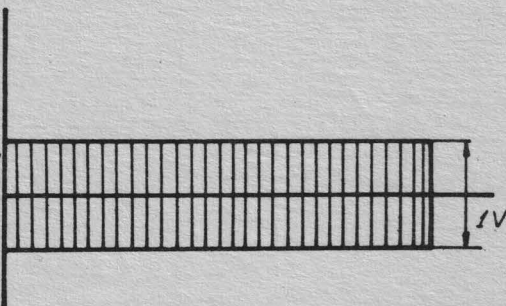
AC  
TCA 650/15



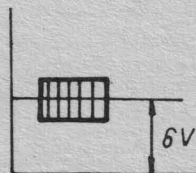
DC



AC  
TCA 650/11



DC



PAL CODER DIAGRAMS

URC

I.C.E.

869.400.001

Fila 2 din 2